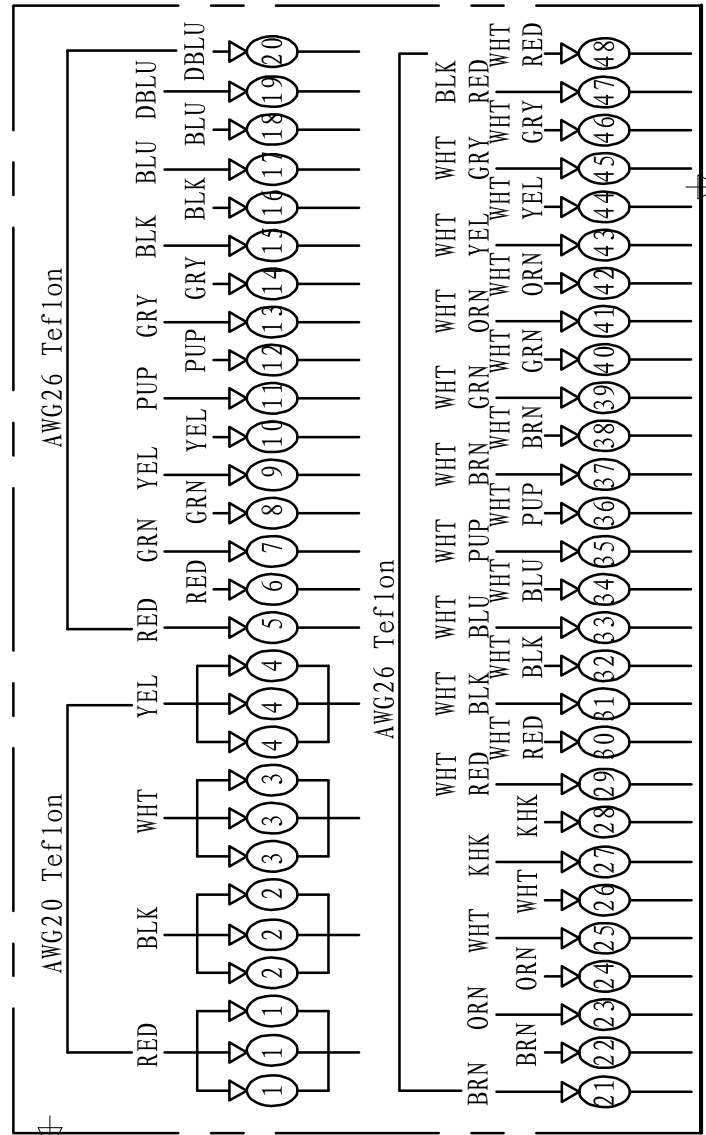


**Remarks:**  
 Number of rings: 46 rings  
 Rated voltage: 0~240VAC/VDC  
 Rated current: 2A/ring;44rings;6A/ring;4rings  
 Dielectric strength: 500VAC@50Hz, 60s  
 Insulation resistance: ≥500MΩ/500VDC  
 Dynamic contact resistance: ≤0.01Ω  
 Contact material: Precious Metals  
 Housing material: AL



Version	Änderung / Modification	Description	Dwg. No.

<b>V35260</b>	KS25-4x6A- -44x2A-AL-240V
<b>SERVO-DRIVE.CZ</b>	
Die oben genannten Bemerkungen sind Richtwerte. Alle Abmessungen in mm / All dimensions in mm	
Datei : 16.12.2016	Version : 1.0
Author : P. UHER	Update : xxx.xxx.xx